

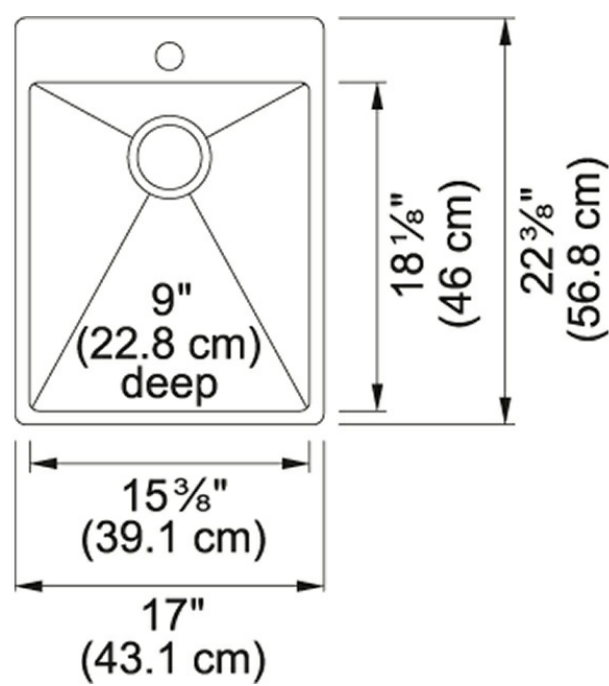
## Vector Stainless Steel

The sleek slim-rim design and minimal radius corners give the Vector series a professional look. Add in Franke's unique quick install system for top mount installations and you have a easier DIY solution. The Vector series sinks can also be installed undermount and are available in multiple sizes and bowl configurations.

Product Picture



Technical Drawing



Product Dimensions

Length overall	22 3/8"
Width overall	17"
Depth Overall	9"
Length of large bowl	18 1/8"
Width of large bowl	15 3/8"
Depth of large bowl	9"
Length of small bowl	17 3/4"
Width of small bowl	8 1/2"
Minimum Cabinet Size	21"

General Information

Type of Material	18 Gauge Stainless Steel
Number of Bowls	1
Faucet Hole	1
Installation Clips	Yes
Cut-Out Template	Yes
Where to buy	Showroom

Article Numbers

FUN#	127.0479.292
US Part Number	HTS1722-1

